

IMPULSE VALVE OPERATOR (IVO)



Description

The Impulse Valve Operator (IVO) provides a means to activate a Fike Impulse Valve container via an electric signal from a Fike control panel. The IVO can also be manually activated by removing the safety cotter pin and depressing the red strike button.

Activation of the IVO provides the force required to extend its stainless steel piston through the base of the actuator where it will impact the container's rupture disc valve causing it to open, allowing the agent to be released from the container. The IVO can easily be reset after activation to return it to normal operation.

Electrical activation of the IVO requires it to be connected to a Fike Impulse Releasing Module (P/N 10-2748). The IRM provides the interface between the IVO and the releasing circuit of the Fike control panel.

Connection of the IVO to the container's actuator port must be continuously supervised. This is accomplished by using a Fike Impulse Valve Operator Supervisor (P/N 02-14263) to secure the IVO to the container's actuator port. Refer to IVOS Data Sheet IV.1.23.01 for details.

Specifications

Part Number	02-12728
Construction	Stainless Steel Body Brass End Cap Stainless Steel Piston
Electrical Connection	1/2" NPT(F) conduit connection
Wires	2, 20 AWG Black Wires 36" (914 mm) long
Temperature	32 to 130°F (0 to 54.4°C), 93% maximum humidity
Normal Supply Voltage	24 VDC
Current Consumption*	0 Amps Standby 0 Amps Active (3 Amp momentary pulse from IRM capacitors)

*For battery calculations.

Approvals

Underwriters Laboratories (UL)
Underwriters Laboratories of Canada (ULC)
Factory Mutual (FM)

For exact certification listings, please reference the respective agency web site.

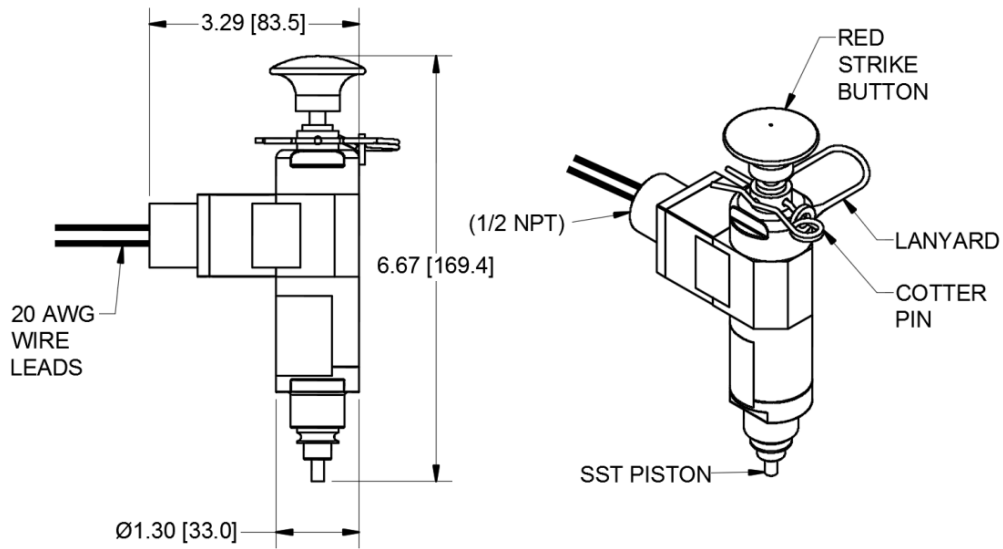
Ordering Information

The IVO can be ordered separately using the part number listed above or it can be ordered as part of the following kit.

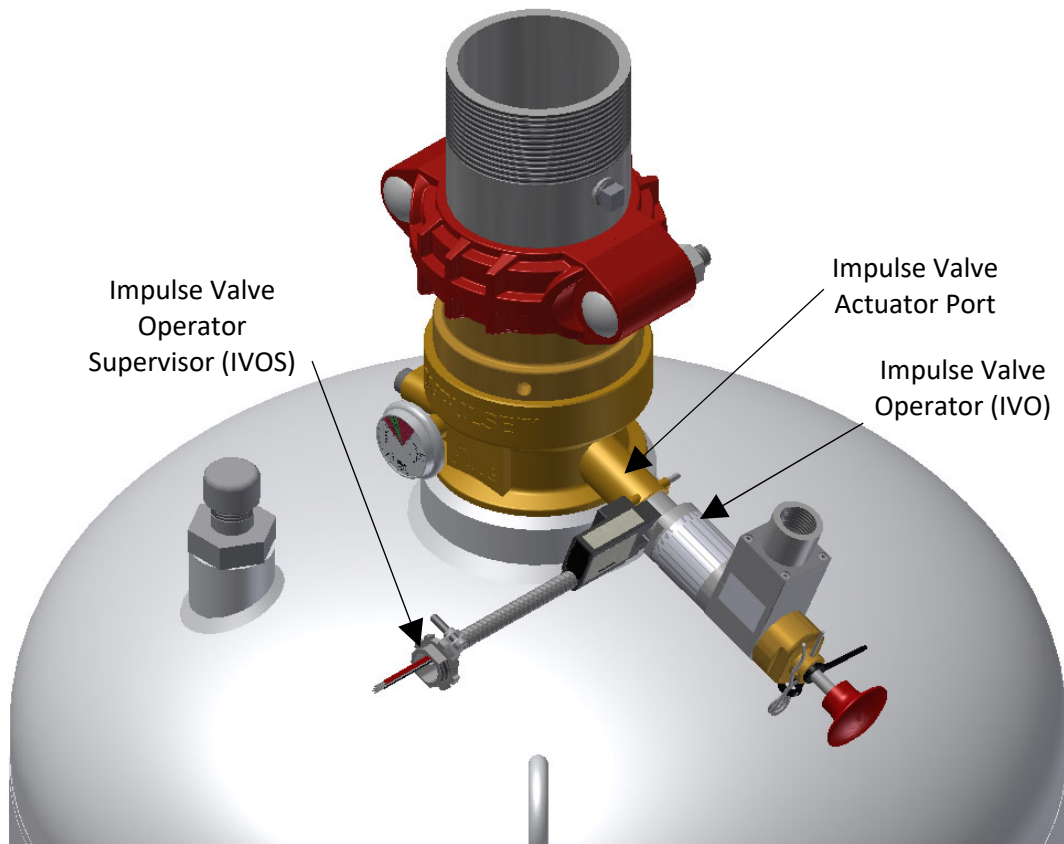
IVO Kit (P/N 70-279)	
Part Number	Description
02-12728	Impulse Valve Operator (IVO)
02-12925	Black Plastic Cap
02-13130	Cotter Pin
02-2213	Security Tie
02-14263	Impulse Valve Operator Supervisor (IVOS)
10-2748	Impulse Releasing Module (IRM)

This document is only intended to be a guideline and is not applicable to all situations. Information is subject to Fike's full disclaimer at <http://www.fike.com/disclaimer>.

IVO Dimensions



IVO Connection to Container



IVO Installed on Container Valve

This document is only intended to be a guideline and is not applicable to all situations. Information is subject to Fike's full disclaimer at <http://www.fike.com/disclaimer>.